

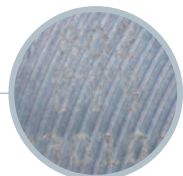
KL 1500 LCD

High Performance, elegantly cased

The KL 1500 LCD is the performance leader in the field of 150-watt halogen cold light sources. With its outstanding modern design combined with optimized, homogeneous light output and variable light control options, this light source has been designed for applications in Stereo Microscopy and Macroscopy in laboratory, industrial and life science applications.

The eye-catching Light Control Display indicates the color temperature of a halogen lamp as well as various operational modes. Continuous mechanical dimming enables a constant color temperature, whereas the step-less electronic intensity control allows for the optimization of lifetime of the halogen lamp. For short periods of light enhancement the new turbo position gives 30% more light as the standard setting. A swing-in optics tuned to the EFR-type halogen lamp optimizes light coupling into small diameter light guides. Thus, the light intensity and uniformity at the exit of light guide improves, which enables the use of thinner, more flexible and less expensive light guides. A broad range of light guides with active bundle diameters up to 9 mm (.35") is offered, completed by a selection of color filters and other accessories. Please refer to the system diagram on page 14/15 and the SCHOTT Standard Product Catalog for details.

The stackable injection molded housing is designed to keep direct stray light to a minimum. It offers comfortable and quick lamp change through the lamp compartment door, as well as an easy-to-change filter slide to help contribute to pleasant working conditions. Electronical stabilization of the lamp voltage provides constant light output in case of fluctuations of the AC input voltage. The KL 1500 LCD is available in 120- and 230-volt versions. The KL 1500 LCD has been approved and certified as laboratory and electromedical device by CSA (C/US) (120-volt version). The 230-volt version carries the CE conformity label.



Piston (Ringlight brightfield)



Piston (Ringlight with Polarizer)

Liquid crystal display indicating color temperature and various operating modes.



Stacking capability: The light sources can be stacked without impairing any function or ease of operation.



Fiber optic socket and swing-in lens for light guides with fiber bundle diameters up to max. 9 mm.



Functional lamp compartment: The time tested technology ensures easy lamp replacement without using any tools.

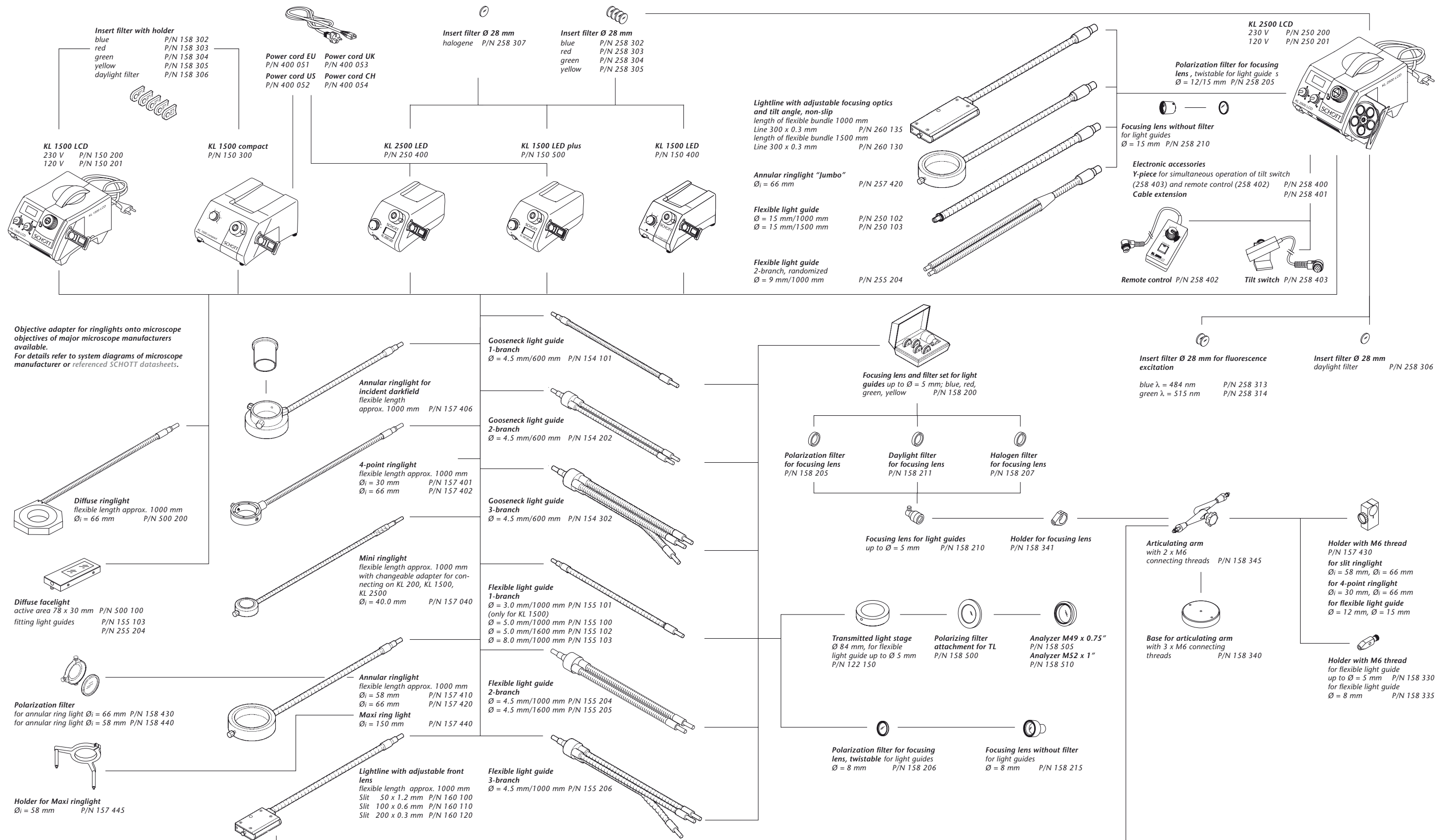


Two options are available for controlling light intensity:

- A voltage stabilized electronic dimmer which simultaneously adjusts light intensity and color temperature.
- A mechanical dimmer which controls the light intensity at a constant color temperature. The step-less control of the mechanical aperture optimizes uniform object illumination in all positions.



System diagram for KL 1500 / 2500 series





KL 1500 LCD

KL 1500 LCD

A benchmark in the field of 150-Watt light sources

Compact and cost-effective, with outstanding design and excellent function and performance parameters – these are the main features of the KL 1500 LCD.

Display for color temperature and operating modes, electronic and mechanical light control, as well as new maximum light level are just a few of the special advantages of this light source.

Constant light flux output is maintained independent of fluctuations in the supply voltage network ($\pm 10\%$).

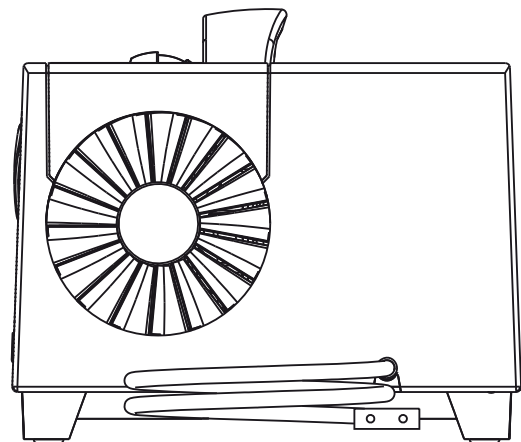
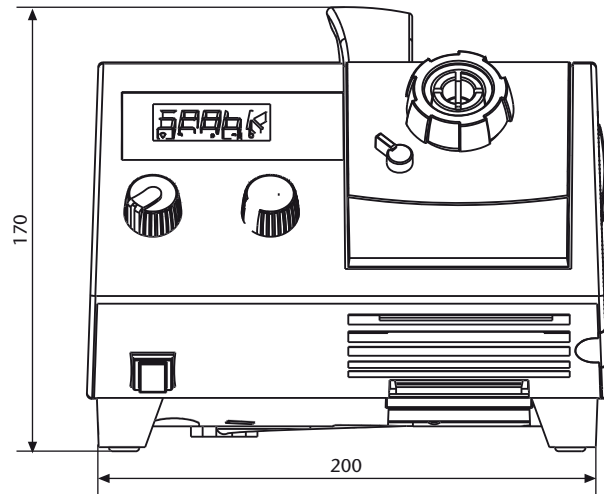
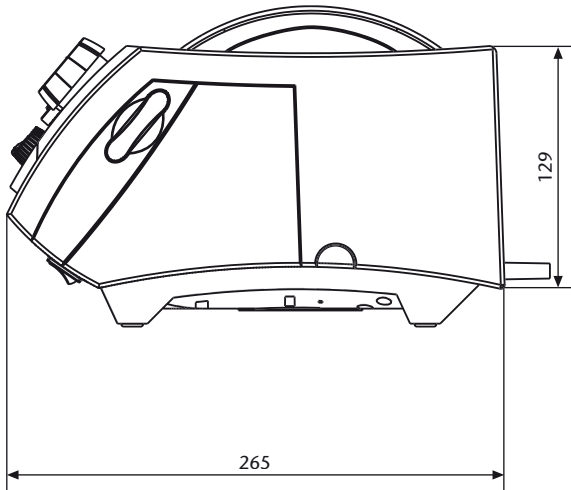
The time tested features of SCHOTT light sources have been implemented again in the KL 1500 LCD.

- Easy and reproducible operation.
- Functional lamp compartment for quick lamp replacement.
- Filter drawer for selection of color filters.
- Swing-in input optics for homogenization of light input.
- Easy stacking capability with access to all features and functions.
- The design of a low-noise fan in combination with optimum air venting at the back of the unit helps contribute to quiet and pleasant working conditions.
- **Approvals:**
The KL 1500 LCD has been approved and certified by VDE and UL (120-Volt version for U.S. and Canada) and carries the CE conformity label (230-Volt version).
- Manufactured in the EU.

| KL 1500 LCD | | | |
|---------------------------|------------------|---------------------------------|---|
| Type designation | | General data | |
| Dimensions (W x D x H) | | (mm)/(inch) | Ca. 200 x 265 x 170/Ca. 7.9" x 10.4" x 6.7" |
| Weight | | (kg) | Approx. 4.8 |
| Cooling | | Low-noise fan | |
| | | Part-No. | Electrical data |
| Operating voltage | 120 volt version | 150 201 | 100 V ~ 50/60 Hz, 120 V ~ 60 Hz |
| | 230 volt version | 150 200 | 220 V ... 240 V ~ 50/60 Hz |
| Protection Class | | II | |
| Lamp type | | Halogen reflector lamp Type EFR | |
| Lamp voltage rating (V) | | 15 | |
| Lamp power rating (W) | | 150 | |
| Average lamp service life | level 4 | (h) | 1500 |
| | level 5 | (h) | 150 |
| Illumination data | | | |
| Light flux | | (lm) | 600 |
| Light control | | Electrical and mechanical | |
| Active light guide diam. | | (mm)/(inch) | Max. 9/Max. 0.35" |
| Certification marks | | | |
| 120 volt version | | CSA (C/US) | |
| 230 volt version | | CE, CSA | |

Product improvements may result in specification or feature changes without notice.

KL 1500 LCD



Lighting and Imaging
SCHOTT AG
Otto-Schott-Strasse 2
55127 Mainz
Germany

Phone: +49 (0)6131/66-7796
Fax: +49 (0)6131/66-7850
lightingimaging@schott.com
www.schott.com/lightingimaging

For your local sales contact please visit
www.schott.com/lightingimaging/english/contact

SCHOTT
glass made of ideas