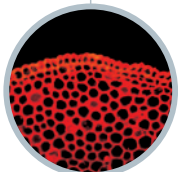


Electronic board (Light guide – blue excitation fluorescence)



Electronic board (Light guide brightfield)



Lily of the valley (Light guide – green excitation fluorescence)



Fingerprint (Light guide – blue excitation fluorescence)

KL 2500 LCD

The Benchmark in Performance

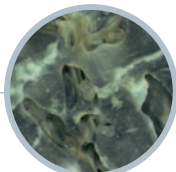
With its new design and unique performance spectrum, the KL 2500 LCD is setting a new benchmark in the field of halogen cold light sources. The premium model KL 2500 LCD offers a decisive advantage over its sister model KL 1500 LCD for light demanding applications: Fitted with a 250-watt cold light reflector lamp, the KL 2500 LCD transmits more than twice the amount of light of the KL 1500 LCD. This unparalleled performance makes the KL 2500 LCD the instrument of choice for the most challenging applications in Stereo Microscopy and Macroscopy as well as in Forensic Science.

Equipped with the same outstanding features as the KL 1500 LCD, the KL 2500 LCD accepts light guides with bundle diameters up to 15 mm (.6"), evenly illuminated with the ELC-type halogen lamp. The larger bundle diameters in combination with the 250-watt lamp power enable demanding applications as GFP fluorescence microscopy or short exposure macro-photography as well as light demanding incident darkfield illuminations. Please refer to the system diagram on page 14/15 and the SCHOTT Standard Product Catalog for details.

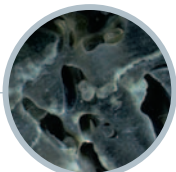
The KL 2500 LCD is equipped with a 5-position filter wheel, which makes filter selection quick and easy. Color filters and special GFP-fluorescence excitation filters are also available.

In addition, electronic accessories such as remote control or tilt switch can be connected to the analog socket in the front panel, enabling remote light source operation or connection of an RS-232-Interface.

The KL 2500 LCD has been approved and certified as laboratory and electromedical device by CSA (C/US) (120-volt version). The 230-volt version carries the CE conformity label.



Oyster shell (Ringlight brightfield)



Oyster shell (Ringlight darkfield)



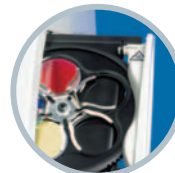
Light guide socket with adapter for active diameters up to 8 mm



Light guide socket without adapter for active diameters larger than 8 mm



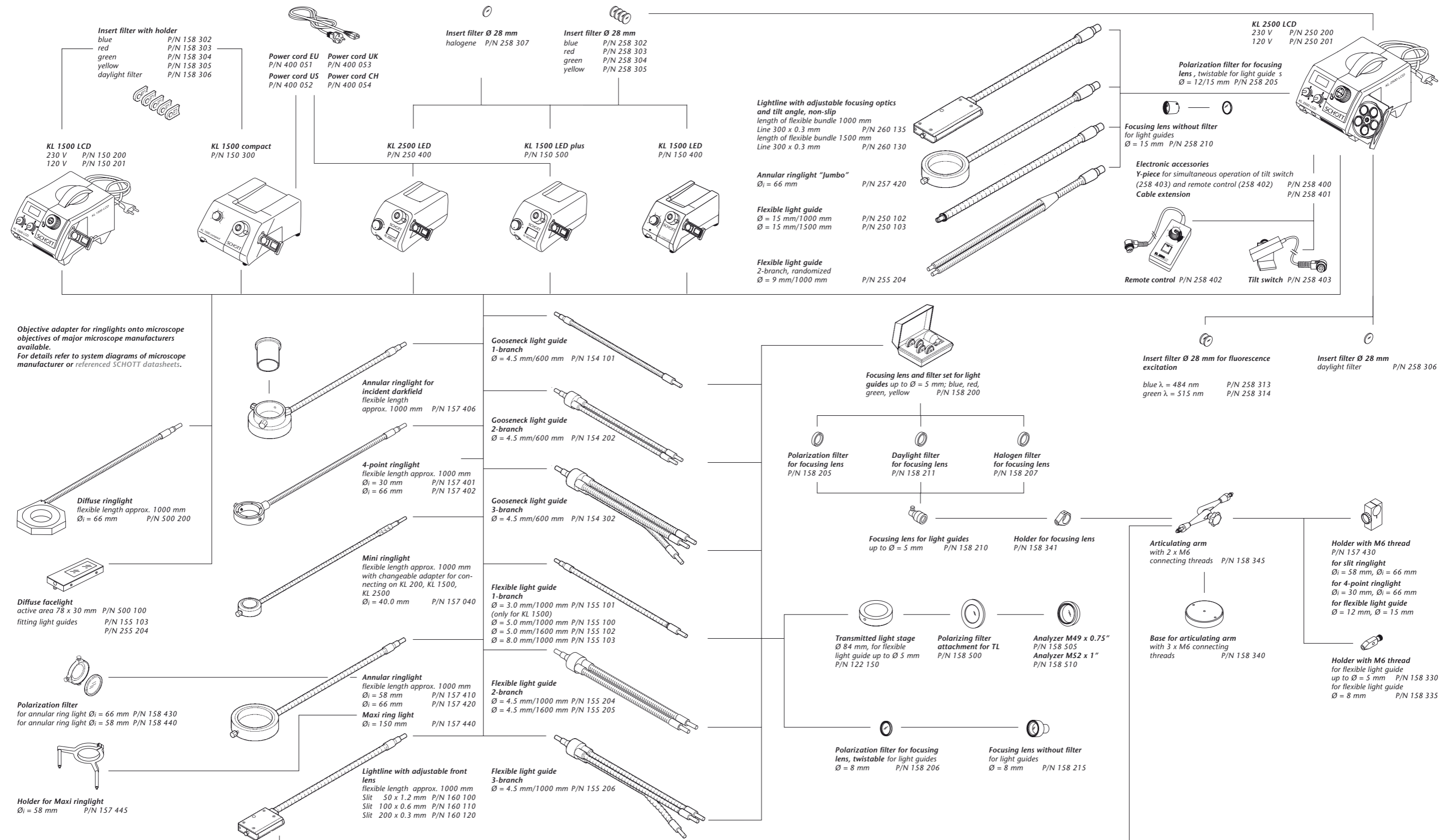
Socket for electronic accessories such as remote control, tilt switch and RS-232-Interface



Filter wheel with five filter positions: Change of the wavelength range of the light with just a turn of the wheel.



System diagram for KL 1500 / 2500 series





KL 2500 LCD

- **Ease of use:** The KL 2500 LCD is supplied with a filter wheel, which accommodates up to five insert filters. Filter selection is as simple as a turn of the knob.
- **Electronic accessories,** such as remote control, RS-232 or tilt switch, can be connected to the front panel of the device enabling light source operation in difficult access areas.
- With the **modified light guide socket,** light guides up to 15-mm fiber bundle diameter can be used with optimum results. Design compatibility allows KL 1500 LCD light guides to also be used with the KL 2500 LCD.
- All other functions are identical to the KL 1500 LCD.
- **Approvals:**
The KL 2500 LCD has been approved and certified by VDE and UL (120-Volt version for U.S. and Canada) and carries the CE conformity label (230-Volt version).
- Manufactured in the EU.

KL 2500 LCD

Twice the amount of light – ideal for special applications

The KL 2500 LCD is the performance leader in halogen light sources from SCHOTT.

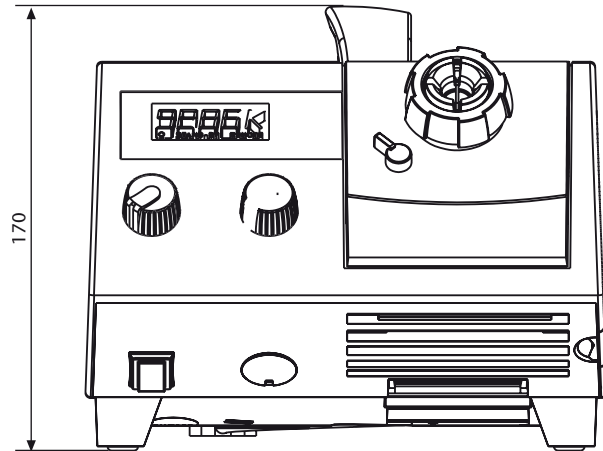
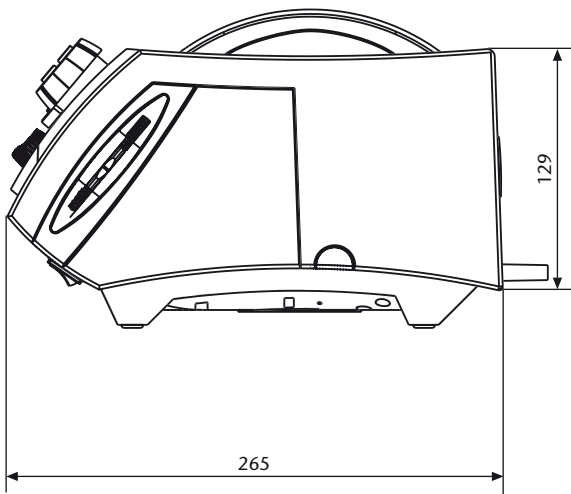
With its 250-Watt light reflector lamp, the KL 2500 LCD exceeds twice the amount of light given by the KL 1500 LCD. It produces many-fold the amount of light currently available from other 150-Watt devices.

Unparalleled performance of the KL 2500 LCD makes it the instrument of choice for all applications in microscopy which demand a higher light output. Where meeting macro-photography's shorter exposure requirements, light reserve for forensic and GFP fluorescence applications, the KL 2500 LCD is the right device.

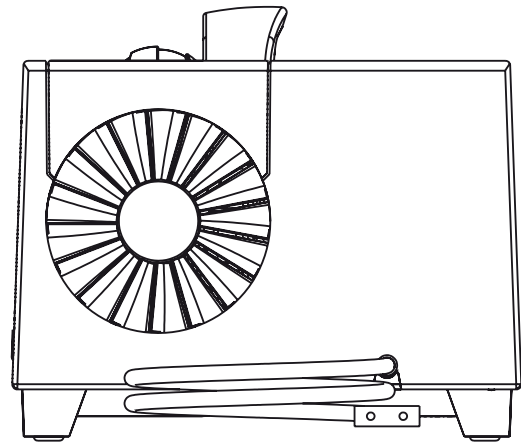
KL 2500 LCD		
Type designation		General data
Dimensions (W x D x H)	(mm)/(inch)	Ca. 200 x 265 x 170/Ca. 7.9" x 10.4" x 6.7"
Weight	(kg)	Approx. 6.0
Cooling		Low-noise fan
	Part-No.	Electrical data
Operating voltage 120 volt version	250 201	100 V ~ 50/60 Hz, 120 V ~ 60 Hz
230 volt version	250 200	220 V ... 240 V ~ 50/60 Hz
Protection Class		II
Lamp type		Halogen reflector lamp Type ELC
Lamp voltage rating (V)		24
Lamp power rating (W)		250
Average lamp service life level 4	(h)	1.500
level 5	(h)	150
Illumination data		
Light flux	(lm)	1.300
Light control		Electrical and mechanical
Active light guide diam.	(mm)/(inch)	Max. 15/Max. 0.59"
Certification marks		
120 volt version		CSA (C/US)
230 volt version		CE, CSA

Product improvements may result in specification or feature changes without notice.

KL 2500 LCD



9 PIN connector for remote control or electronic accessories



Fiber Optics
SCHOTT AG
Otto-Schott-Strasse 2
55127 Mainz
Germany

Phone: +49 (0)6131/66-7796
Fax: +49 (0)6131/66-7850
fiberoptics.info@schott.com
www.schott.com/fiberoptics

For your local sales contact please visit
www.schott.com/fiberoptics/english/contact

SCHOTT
glass made of ideas