



4-point ringlight 30 mm



4-point ringlight 66 mm

4-Point Ringlights

Features

- Four illumination spots are designed within the housing.
- Mounts directly to objective means of thumb screw.
- Housing made of rugged, black anodized aluminium.
- Fiber bundle protected with flexible metal PVC sheathing.
- Manufactured in the EU.

Benefit

- Illumination with reduced shadows, but still sufficient shadows for improved contrast.

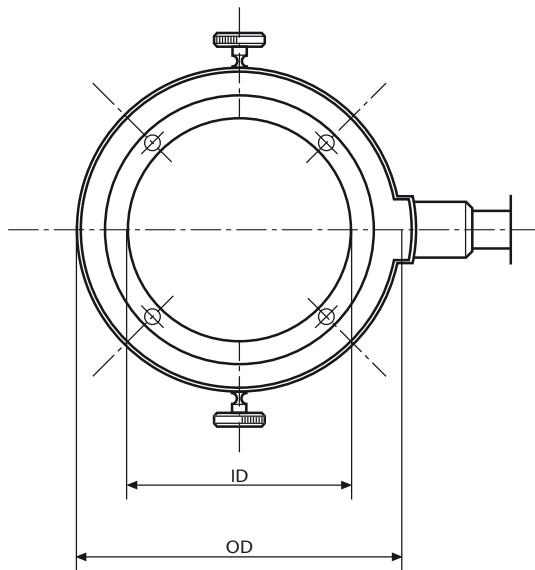
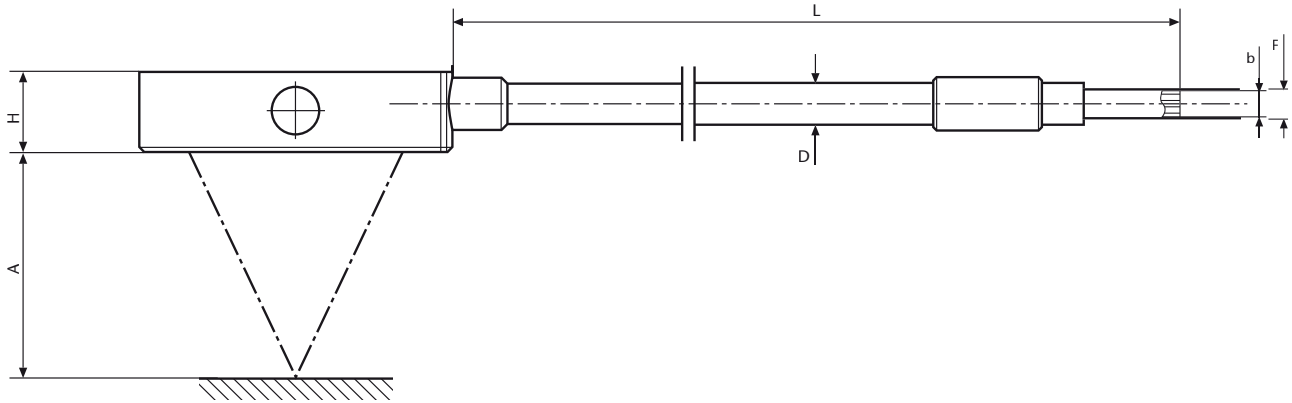
4-Point Ringlights										
Cold light source	Part-No.	Type	Length	Inner Ø	Outer Ø	Height	Minimum working distance*	Active Ø/ branch	Outer Ø Jacketing	Light source adapter Ø
			L	ID	OD	H	A	b	D	
KL 1500**	157 401	30 mm Ø	1000 mm 39.37 inch	30 mm 1.18 inch	58 mm 2.28 inch	23 mm 0.91 inch	12 mm 0.47 inch	8 mm 0.32 inch	14 mm 0.55 inch	10 mm 0.39 inch
KL 2500 LCD	157 402	66 mm Ø	1000 mm 39.37 inch	66 mm 2.60 inch	94 mm 3.70 inch	23 mm 0.91 inch	25 mm 0.98 inch	8 mm 0.32 inch	14 mm 0.55 inch	10 mm 0.39 inch

* Ringlights usable in any working distance above given minimum values.

** LCD, compact, LED

Product improvements may result in specification or feature changes without notice.

4-Point Ringlights



authorized dealer:
Pulch + Lorenz microscopy
Am Untergrün 23, D-79232 March
tel: 07665 9272-0
fax: 07665 9272-20
mail: kontakt@pulchlorenz.de
web: pulchlorenz.de

Lighting and Imaging
SCHOTT AG
Otto-Schott-Strasse 2
55127 Mainz
Germany

Phone: +49 (0)6131/66-7796
Fax: +49 (0)6131/66-7850
lightingimaging@schott.com
www.schott.com/lightingimaging

For your local sales contact please visit
www.schott.com/lightingimaging/english/contact

SCHOTT
glass made of ideas