

EasyLED Spotlight Plus

Ergonomic and compact illumination system for stereo microscopy and macroscopy



The SCHOTT **EasyLED Spotlight Plus** System has been specifically developed for microscopy illumination tasks. Each lighthouse offers powerful 140 lm and due to its special construction allows optimal heat dissipation over the cooling fins so that the illuminated objects will not be heated. For the Double Spotlight Plus the user can select one or both lighthouses for ideal contrast by repeatedly pressing the On-button. For the integrated ergonomic control unit various mounting adaptors and stand-alone solutions are available.

The EasyLED Spotlight Plus Systems comes with an external wide range of power supply (100-240 V; 50-60 Hz). It has been approved and certified as laboratory equipment and is in compliance with the CE regulations.

Features:

- Spotlight Plus adaptors for all stands plus stand-alone version available
- Double Spotlight Plus with switching feature: LED head 1 ON, LED head 2 A, both LED heads ON, both LED heads off, etc.
- Max. light flux: 130 lm each spot

EasyLED Spotlights

Ergonomic and compact illumination system for stereo microscopy and macroscopy



Spotlight Plus

Features Spotlight Plus

- Spotlight Plus adaptors for all stands plus stand-alone version available
- Double Spotlight Plus with switching feature: LED head 1 ON, LED head 2 A, both LED heads ON, both LED heads off, etc.
- Max. light flux: 130 lm each spot



Spotlight

Features Spotlight

- High brightness power LED
- Easy adaption at goosenecks, articulating arms and microscopes
- Compact controller for continuous dimming (0 - 100 %) and separate on/off switch
- Total light flux: 40 lm

| Spotlights | Part.No. | Front lens | Max. light flux | Adaption thread | Power Supply |
|------------------------------|----------|-------------------|-----------------|-----------------|--------------|
| Spotlight | 600 100 | 17 mm (0.67") | 40 lm | M6 | 5 V, DC |
| Double Spotlight | 600 120 | 2 x 17 mm (0.67") | 2 x 40 lm | 2 x M6 | 5 V, DC |
| Spotlight Plus System | 600 101 | 17 mm (0.67") | 130 lm | - | 5 V, DC |
| Double Spotlight Plus System | 600 121 | 2 x 17 mm (0.67") | 2 x 130 lm | - | 5 V, DC |

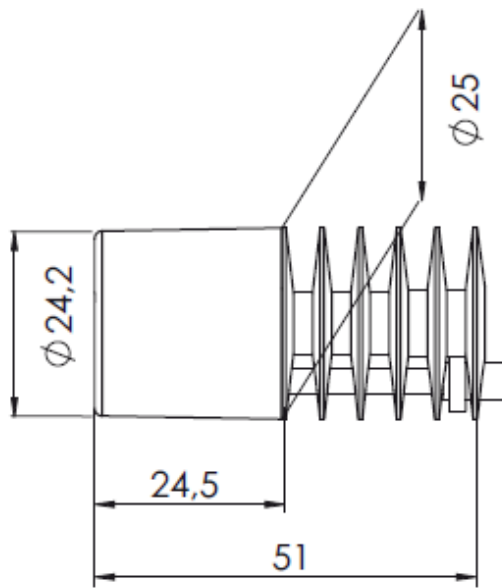
| Mounting Adaptors for Spotlight Plus System | |
|---------------------------------------------|---------|
| bracket for column Ø 25 mm | 120 225 |
| bracket for column Ø 29 mm | 120 229 |
| bracket for column Ø 32 mm | 120 232 |
| bracket for column Ø 35 mm | 120 235 |
| Base for stand-alone application | 158 340 |
| Bracket for stand-alone application | 120 250 |

| Holding arms for Spotlight - 300 mm (11.82") | |
|----------------------------------------------|---------|
| M6 / M4x0.5 | 600 520 |
| M6 / M5 | 600 522 |
| M6 / M6 | 600 524 |
| M6 / M8 | 600 526 |
| Base for stand-alone application | 158 340 |

Version 01.2015



EasyLED Spotlights



EasyLED Spotlight Plus and Spotlight Plus

authorisierter Fachhandelspartner

Pulch + Lorenz GmbH

Am Untergrün 23

79232 March

Tel: 07665 92720

Fax: 07665 927220

Email: kontakt@pulchlorenz.de



All specifications are subject to change without prior notice. This datasheet or any extracts thereof may only be used in other publications with express permission of SCHOTT. © SCHOTT AG

Lighting and Imaging
SCHOTT AG
Hattenbergstrasse 10
55122 Mainz
Germany
Phone: +49 (0) 6131/66-7796
Fax: +49 (0) 6131/66-7850
lightingimaging@schott.com
www.schott.com/lightingimaging

SCHOTT
glass made of ideas