



Annular ringlight Maxi 150 mm

Maxi Ringlight

Features

- Continuous ring of illumination fiber within housing.
- Housing made of rugged, black anodized aluminium.
- Fiber bundle protected with flexible metal PVC sheathing.
- Large diameter ringlight for mounting to objective 58 mm outer diameter with adaptor (part no. 157 445).
- Manufactured in the EU.

Benefit

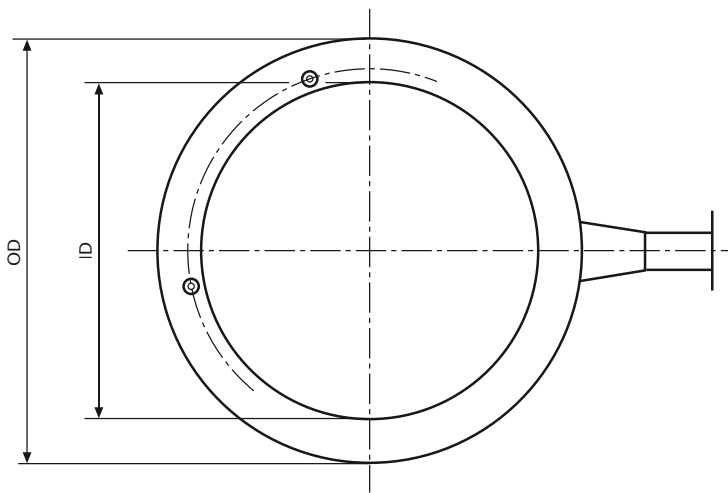
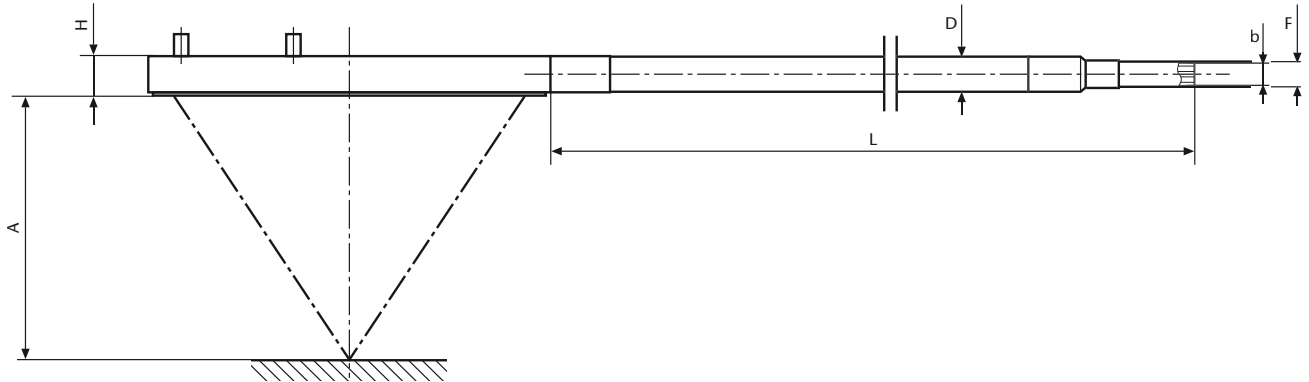
- Absolute shadow-free illumination for large area targets (i.e. SMD).

Maxi Ringlight										
Cold light source	Part No.	Type	Length	Inner Ø	Outer Ø	Height	Minimum working distance*	Active Ø/ branch	Outer Ø Jacketing	Light source adaptor Ø
			L	ID	OD	H	A	b	D	F
KL 1500 **	157 440	Slit 150 mm Ø	750 mm	150 mm	184 mm	20 mm	40 mm	9 mm	17 mm	10 mm
KL 2500 LCD			29.53 inch	5.91 inch	7.24 inch	0.79 inch	1.57 inch	0.35 inch	0.67 inch	0.67 inch
Objective adaptor	Part No.									
Ø 58 mm	157 445									
Ø 66 mm	t.b.a.									

* Ringlight usable in any working distance above given minimum values.

** LCD, compact, LED

Maxi Ringlight



authorized dealer:
Pulch + Lorenz microscopy
Am Untergrün 23, D-79232 March
tel: 07665 9272-0
fax: 07665 9272-20
mail: kontakt@pulchlorenz.de
web: pulchlorenz.de

Lighting and Imaging
SCHOTT AG
Otto-Schott-Strasse 2
55127 Mainz
Germany

Phone: +49 (0)6131/66-7796
Fax: +49 (0)6131/66-7850
lightingimaging@schott.com
www.schott.com/lightingimaging

SCHOTT
glass made of ideas

For your local sales contact please visit
www.schott.com/lightingimaging/english/contact